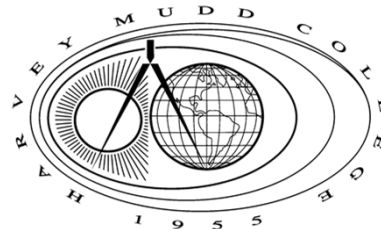


Introduction to CMOS VLSI Design

Lecture 0: Introduction

David Harris



Harvey Mudd College

Spring 2004

Administrivia

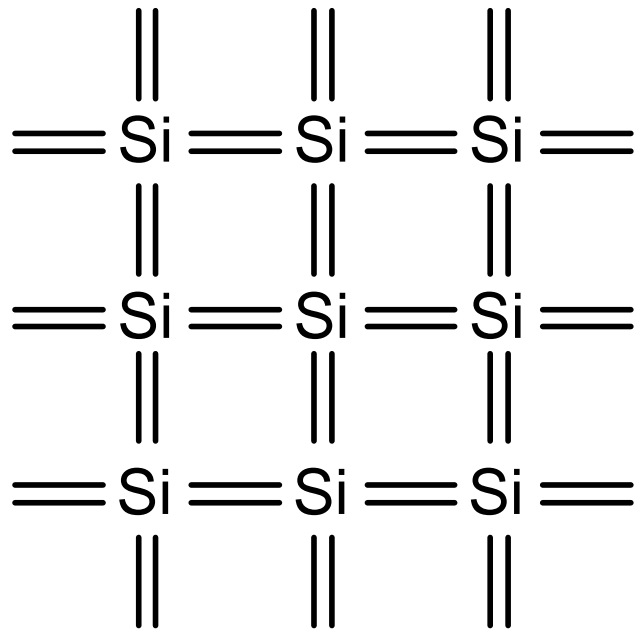
- Name Tents
- Syllabus
 - About the Instructor
 - Office Hours & Lab Assistant Hours
 - Labs, Problem Sets, and Project
 - Grading
 - Collaboration
- Textbook
- Cross-cultural Chip Design

Introduction

- ❑ Integrated circuits: many transistors on one chip.
- ❑ *Very Large Scale Integration (VLSI)*: very many
- ❑ *Complementary Metal Oxide Semiconductor*
 - Fast, cheap, low power transistors
- ❑ Today: How to build your own simple CMOS chip
 - CMOS transistors
 - Building logic gates from transistors
 - Transistor layout and fabrication
- ❑ Rest of the course: How to build a good CMOS chip

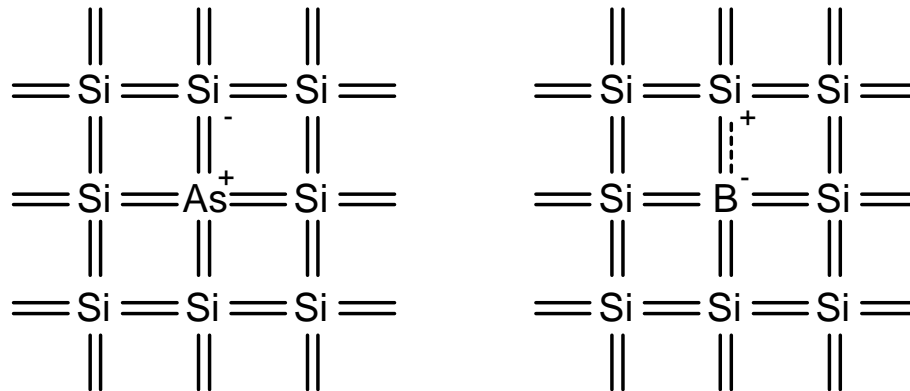
Silicon Lattice

- ❑ Transistors are built on a silicon substrate
- ❑ Silicon is a Group IV material
- ❑ Forms crystal lattice with bonds to four neighbors



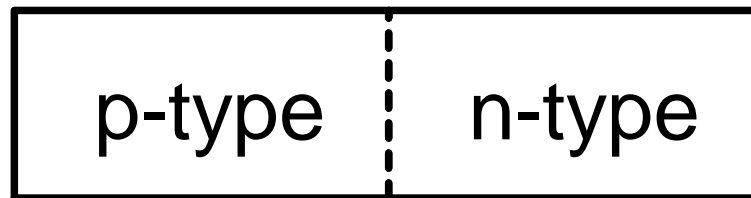
Dopants

- ❑ Silicon is a semiconductor
- ❑ Pure silicon has no free carriers and conducts poorly
- ❑ Adding dopants increases the conductivity
- ❑ Group V: extra electron (n-type)
- ❑ Group III: missing electron, called hole (p-type)

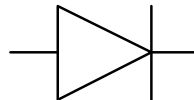


p-n Junctions

- ❑ A junction between p-type and n-type semiconductor forms a diode.
- ❑ Current flows only in one direction

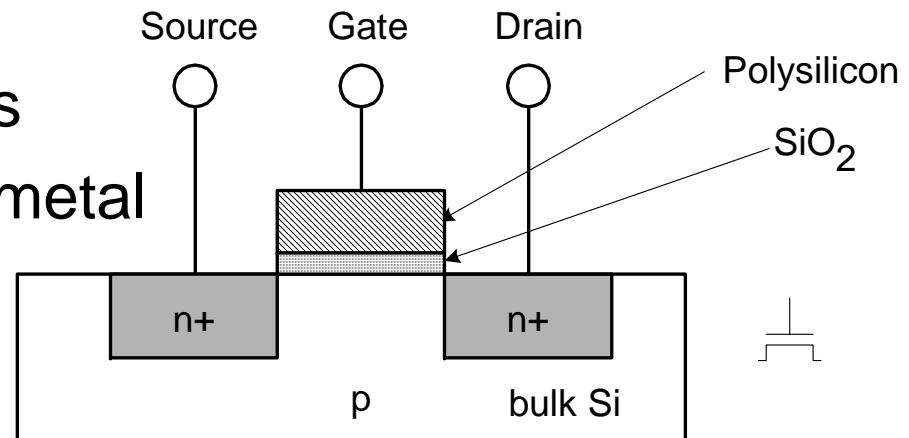


anode cathode



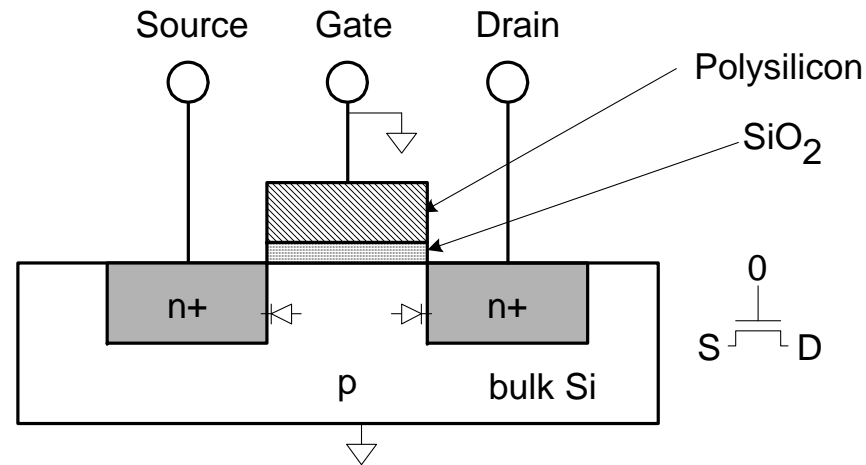
nMOS Transistor

- ❑ Four terminals: gate, source, drain, body
- ❑ Gate – oxide – body stack looks like a capacitor
 - Gate and body are conductors
 - SiO_2 (oxide) is a very good insulator
 - Called metal – oxide – semiconductor (MOS) capacitor
 - Even though gate is no longer made of metal



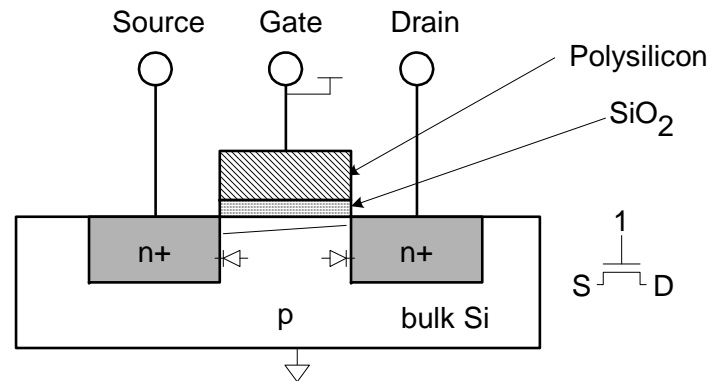
nMOS Operation

- ❑ Body is commonly tied to ground (0 V)
- ❑ When the gate is at a low voltage:
 - P-type body is at low voltage
 - Source-body and drain-body diodes are OFF
 - No current flows, transistor is OFF



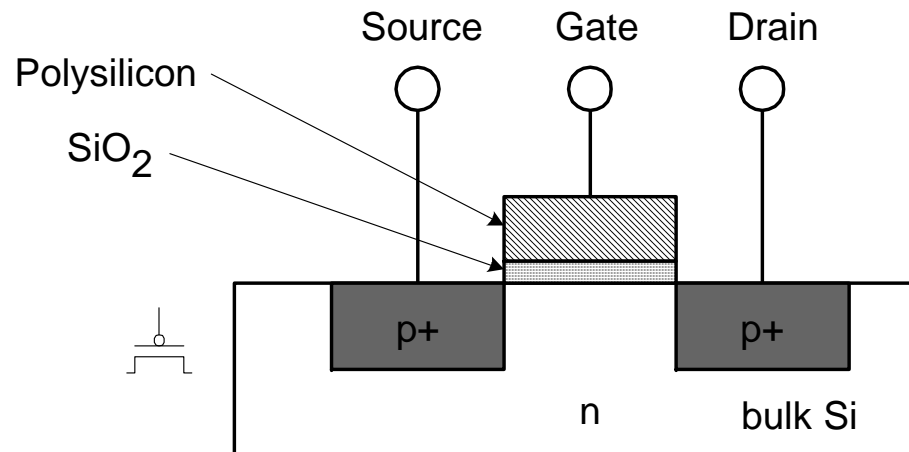
nMOS Operation Cont.

- When the gate is at a high voltage:
 - Positive charge on gate of MOS capacitor
 - Negative charge attracted to body
 - Inverts a channel under gate to n-type
 - Now current can flow through n-type silicon from source through channel to drain, transistor is ON



pMOS Transistor

- ❑ Similar, but doping and voltages reversed
 - Body tied to high voltage (V_{DD})
 - Gate low: transistor ON
 - Gate high: transistor OFF
 - Bubble indicates inverted behavior

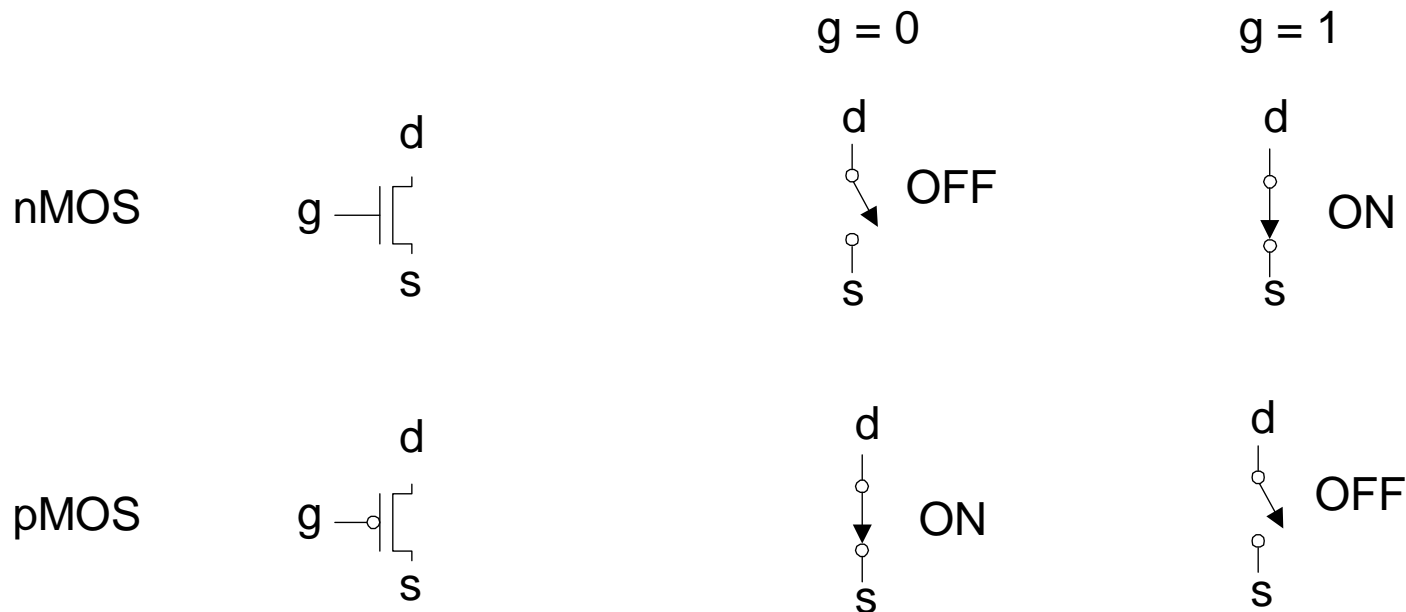


Power Supply Voltage

- ❑ GND = 0 V
- ❑ In 1980's, $V_{DD} = 5V$
- ❑ V_{DD} has decreased in modern processes
 - High V_{DD} would damage modern tiny transistors
 - Lower V_{DD} saves power
- ❑ $V_{DD} = 3.3, 2.5, 1.8, 1.5, 1.2, 1.0, \dots$

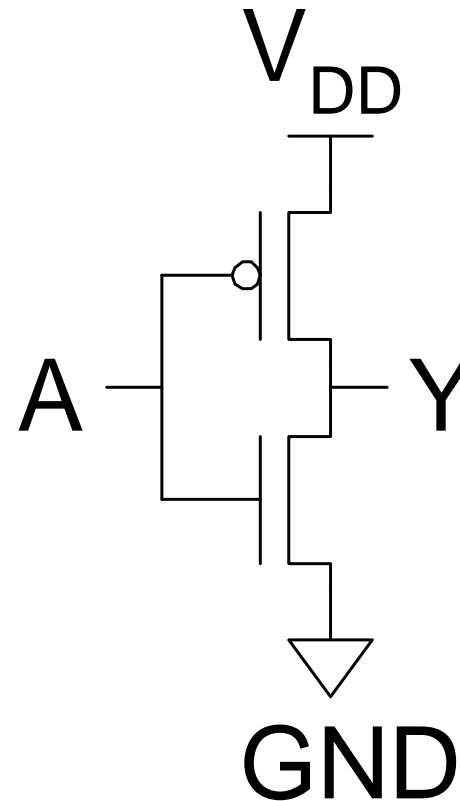
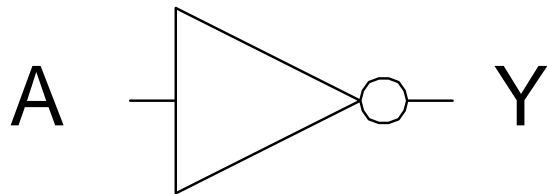
Transistors as Switches

- ❑ We can view MOS transistors as electrically controlled switches
- ❑ Voltage at gate controls path from source to drain



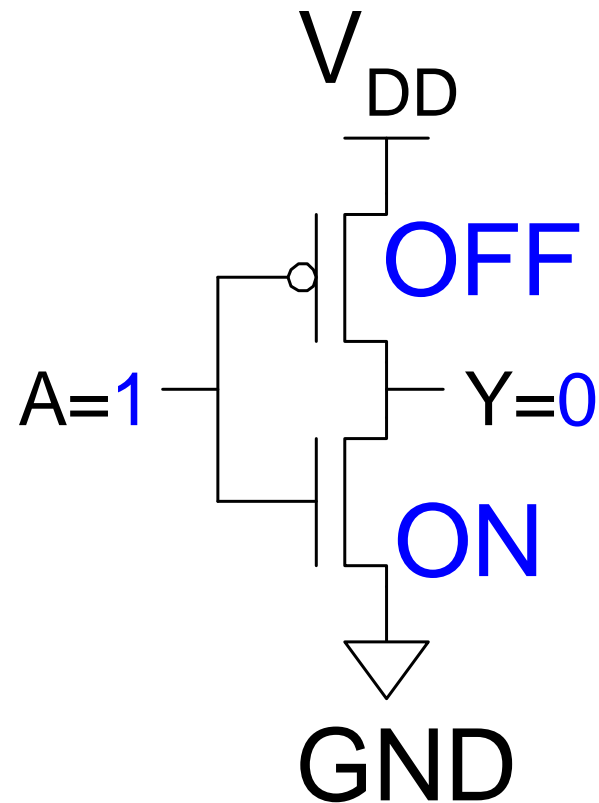
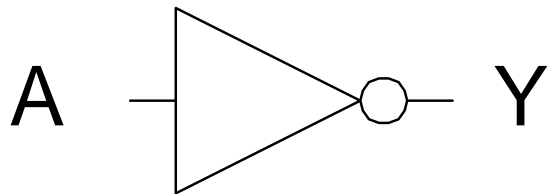
CMOS Inverter

A	Y
0	
1	



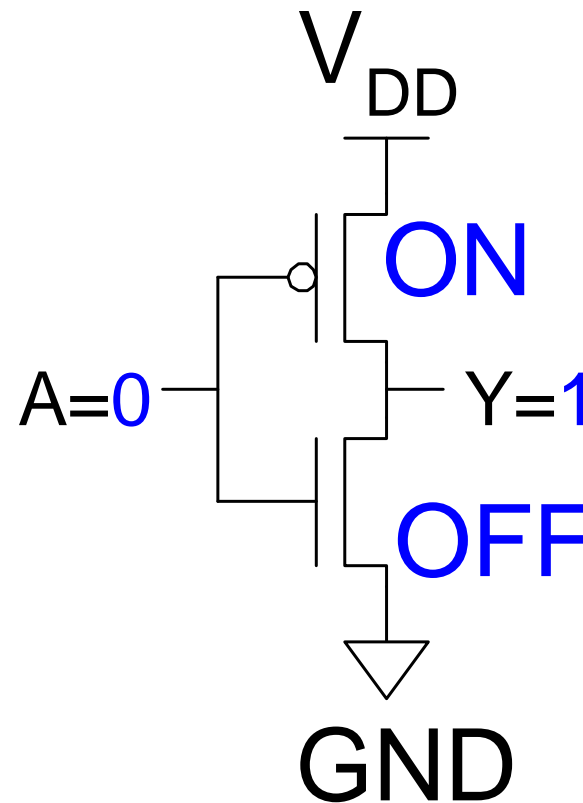
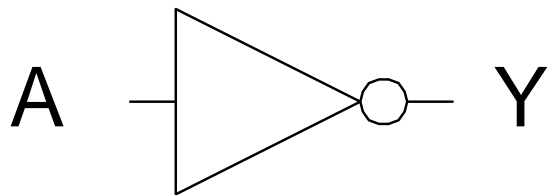
CMOS Inverter

A	Y
0	
1	0



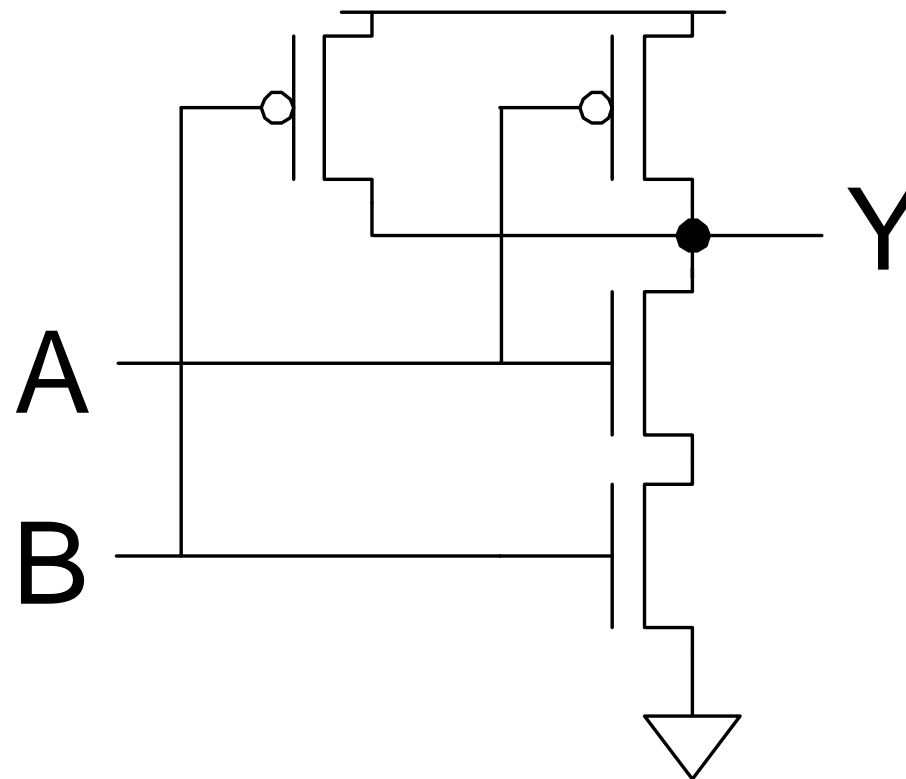
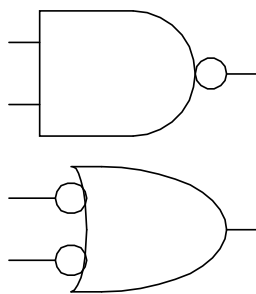
CMOS Inverter

A	Y
0	1
1	0



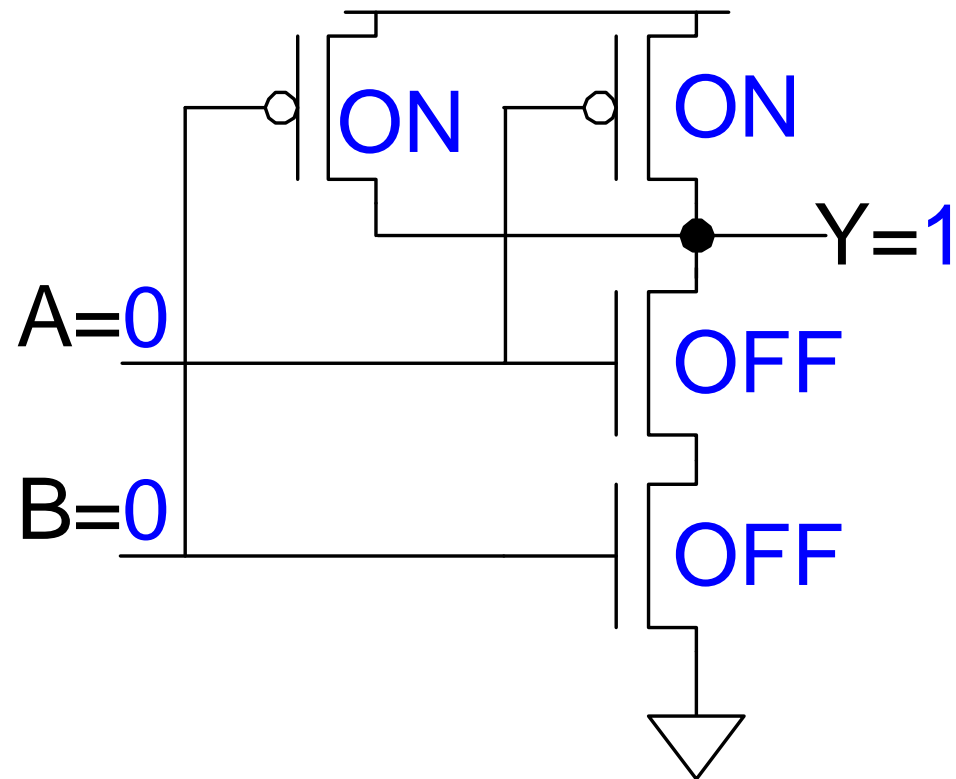
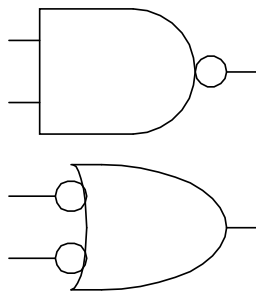
CMOS NAND Gate

A	B	Y
0	0	
0	1	
1	0	
1	1	



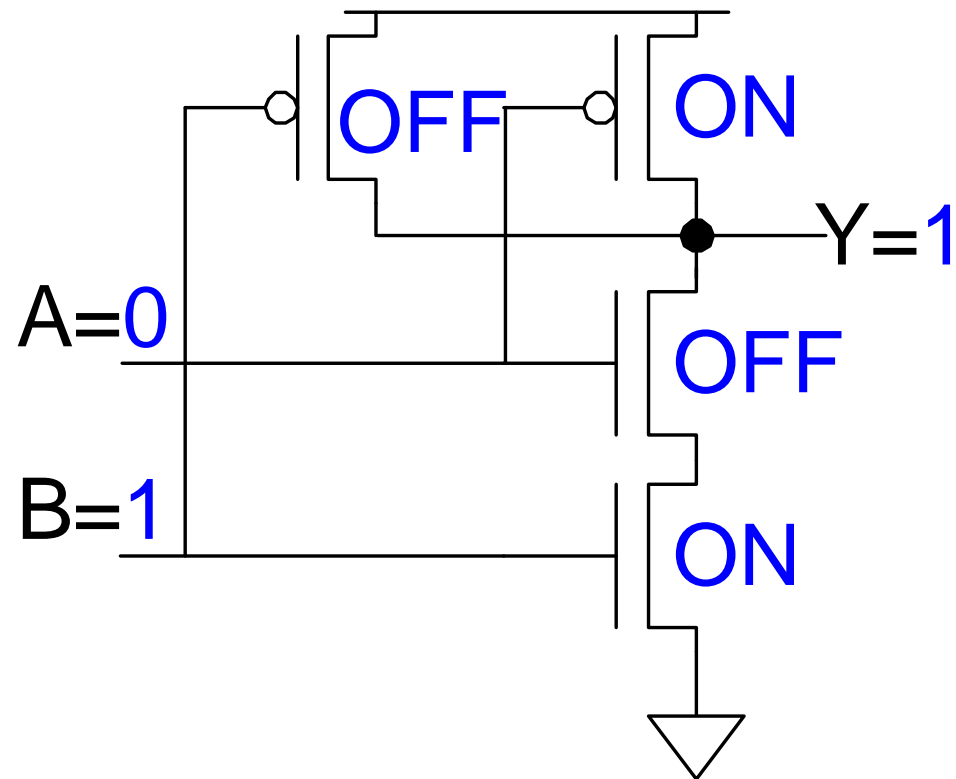
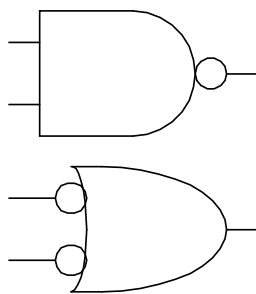
CMOS NAND Gate

A	B	Y
0	0	1
0	1	
1	0	
1	1	



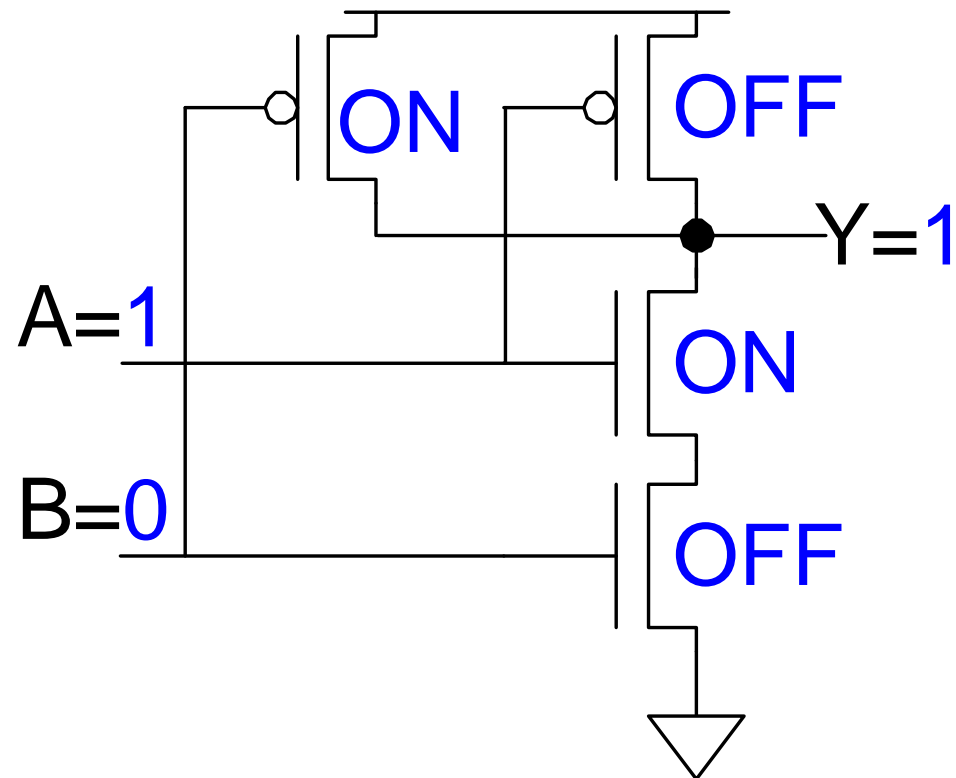
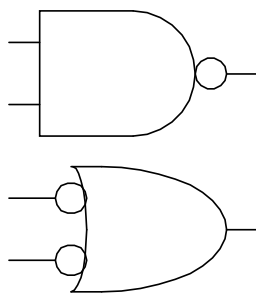
CMOS NAND Gate

A	B	Y
0	0	1
0	1	1
1	0	
1	1	



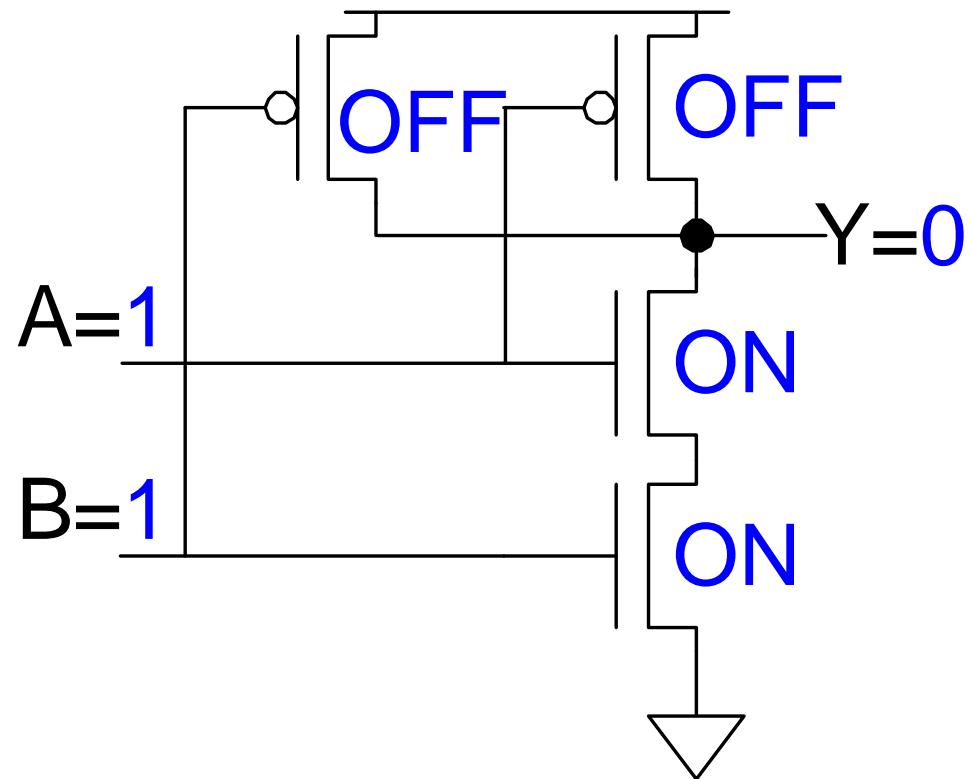
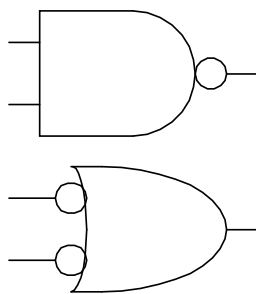
CMOS NAND Gate

A	B	Y
0	0	1
0	1	1
1	0	1
1	1	



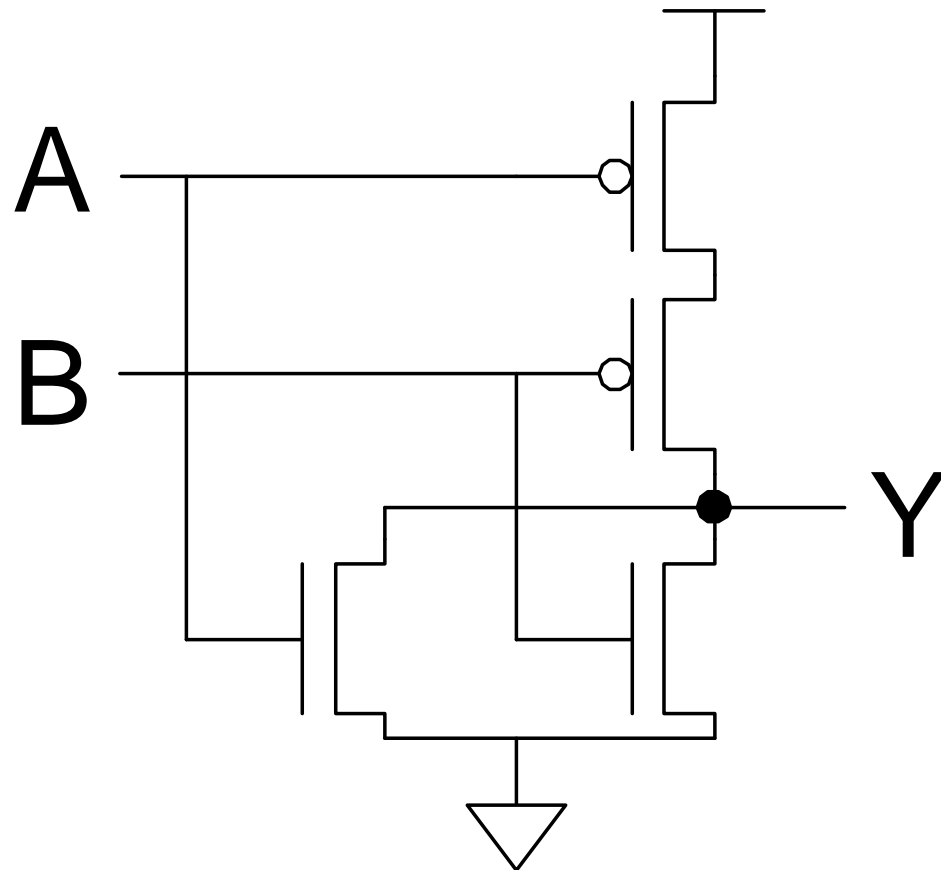
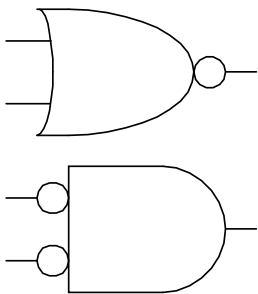
CMOS NAND Gate

A	B	Y
0	0	1
0	1	1
1	0	1
1	1	0



CMOS NOR Gate

A	B	Y
0	0	1
0	1	0
1	0	0
1	1	0

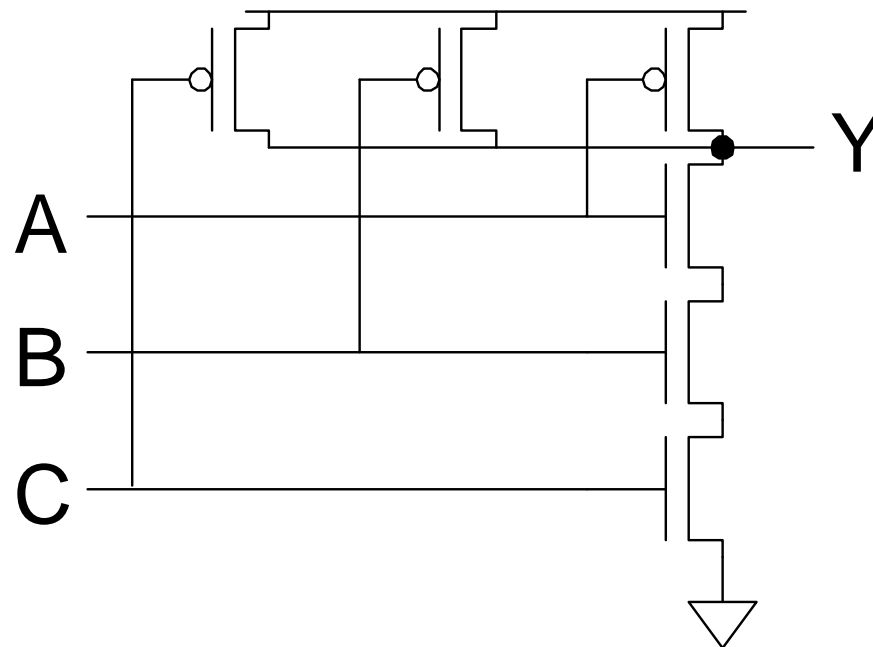


3-input NAND Gate

- Y pulls low if ALL inputs are 1
- Y pulls high if ANY input is 0

3-input NAND Gate

- ❑ Y pulls low if ALL inputs are 1
- ❑ Y pulls high if ANY input is 0

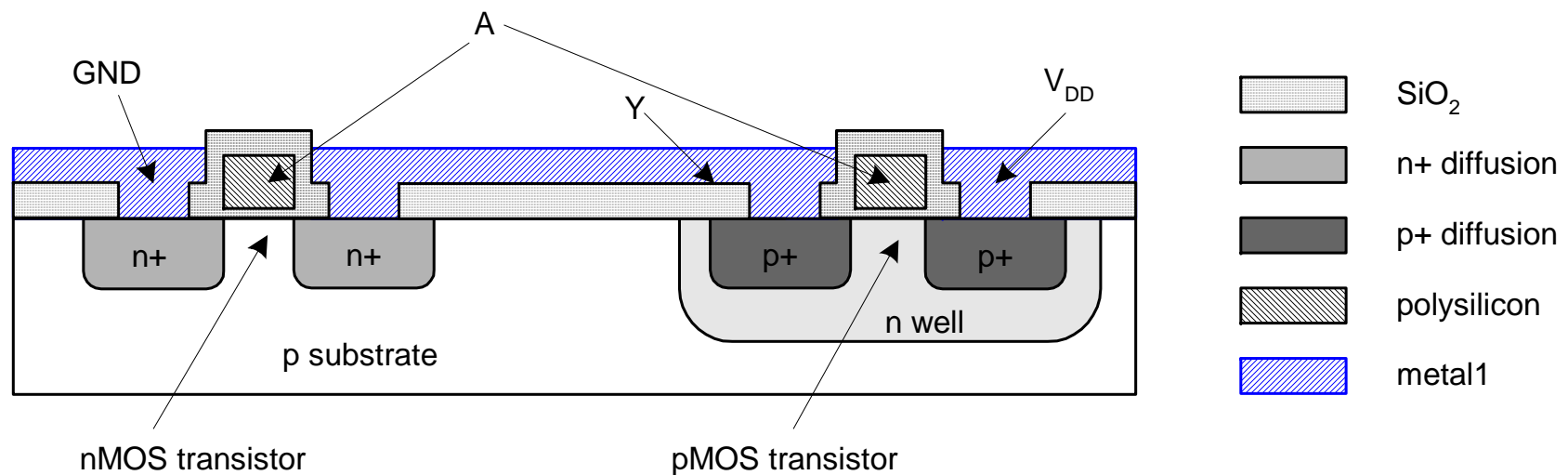


CMOS Fabrication

- ❑ CMOS transistors are fabricated on silicon wafer
- ❑ Lithography process similar to printing press
- ❑ On each step, different materials are deposited or etched
- ❑ Easiest to understand by viewing both top and cross-section of wafer in a simplified manufacturing process

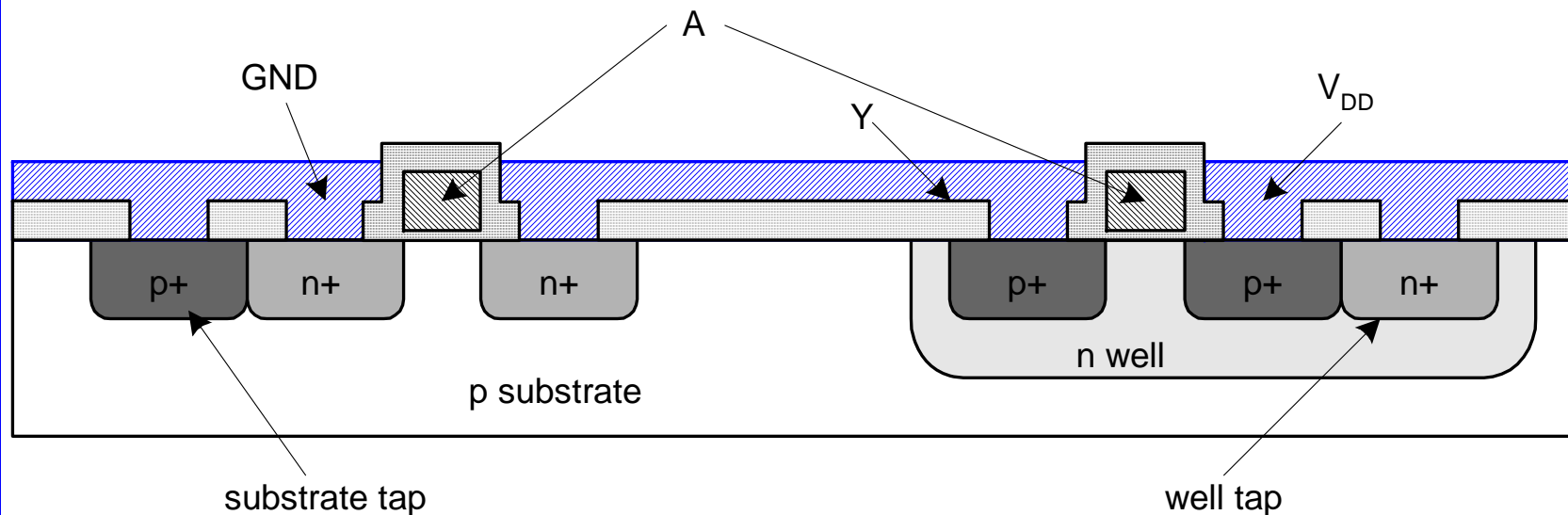
Inverter Cross-section

- ❑ Typically use p-type substrate for nMOS transistors
- ❑ Requires n-well for body of pMOS transistors



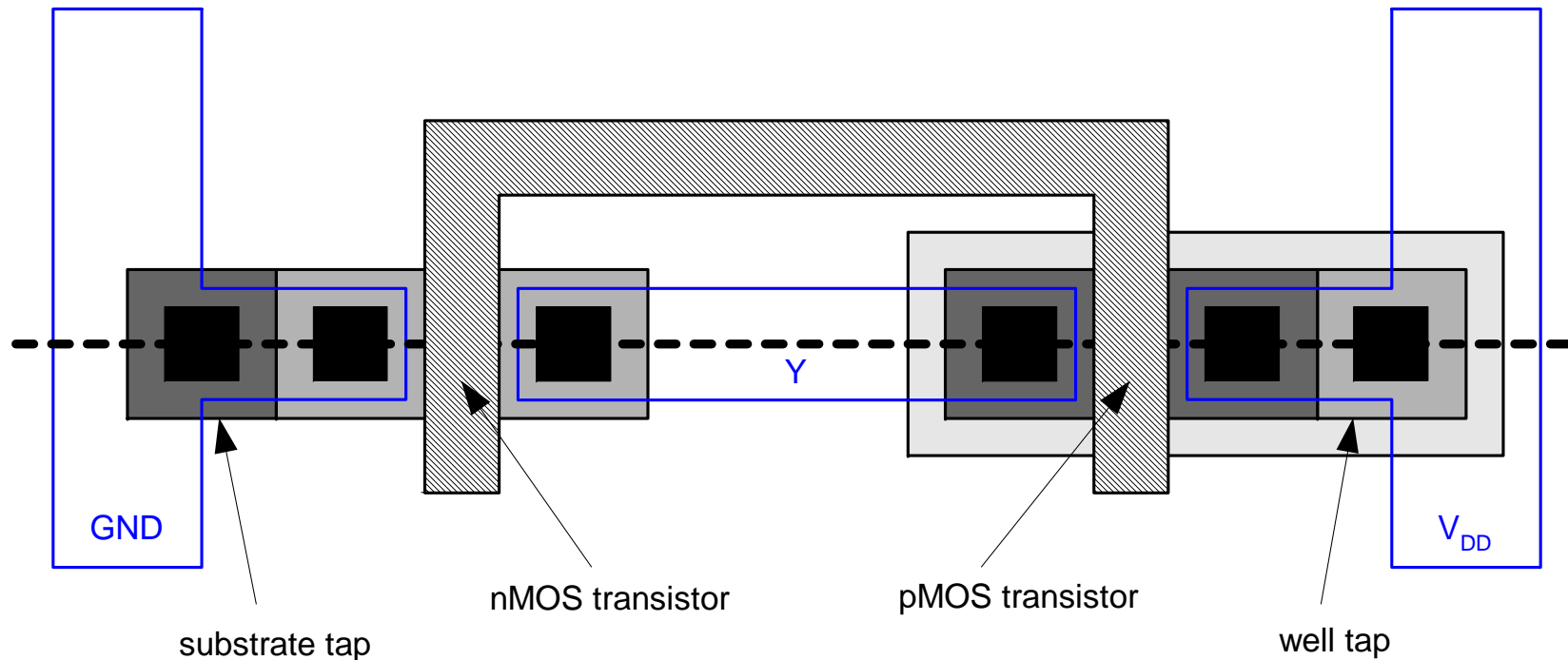
Well and Substrate Taps

- ❑ Substrate must be tied to GND and n-well to V_{DD}
- ❑ Metal to lightly-doped semiconductor forms poor connection called Schottky Diode
- ❑ Use heavily doped well and substrate contacts / taps



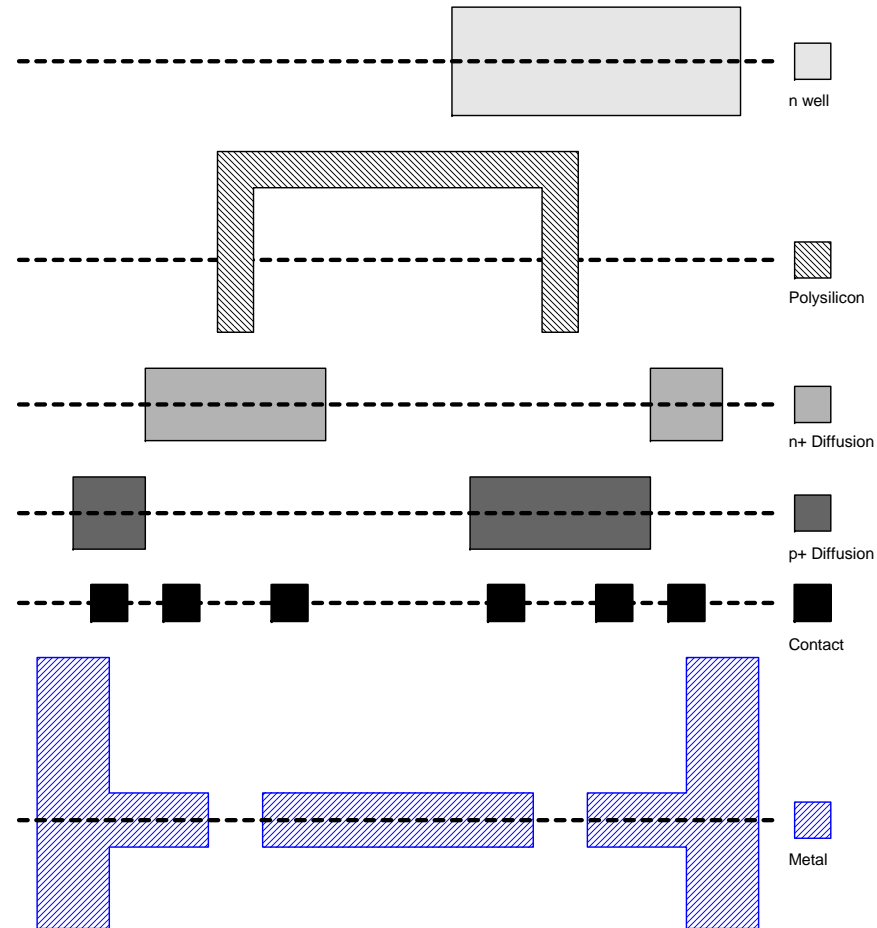
Inverter Mask Set

- ❑ Transistors and wires are defined by *masks*
- ❑ Cross-section taken along dashed line



Detailed Mask Views

- Six masks
 - n-well
 - Polysilicon
 - n+ diffusion
 - p+ diffusion
 - Contact
 - Metal



Fabrication Steps

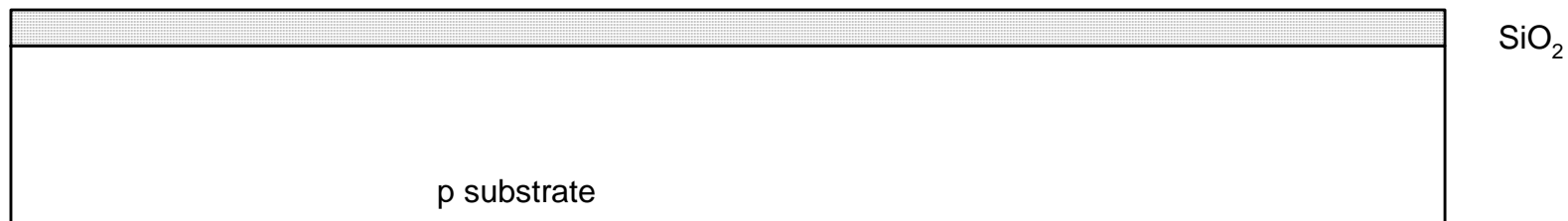
- ❑ Start with blank wafer
- ❑ Build inverter from the bottom up
- ❑ First step will be to form the n-well
 - Cover wafer with protective layer of SiO_2 (oxide)
 - Remove layer where n-well should be built
 - Implant or diffuse n dopants into exposed wafer
 - Strip off SiO_2



p substrate

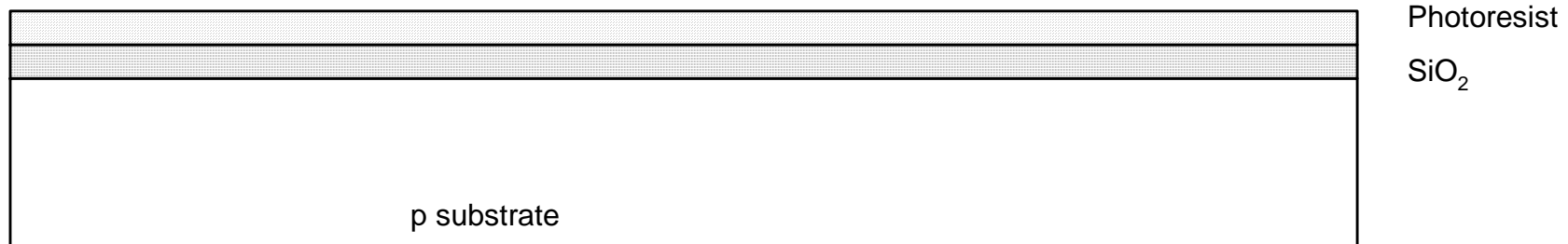
Oxidation

- Grow SiO_2 on top of Si wafer
 - 900 – 1200 C with H_2O or O_2 in oxidation furnace



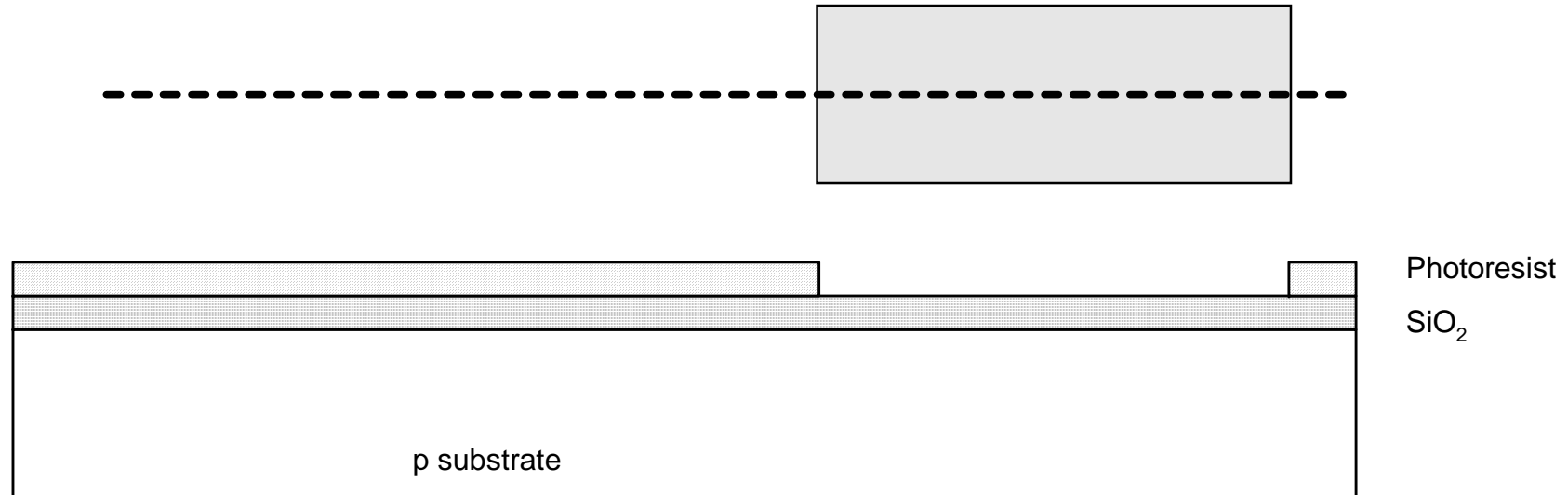
Photoresist

- Spin on photoresist
 - Photoresist is a light-sensitive organic polymer
 - Softens where exposed to light



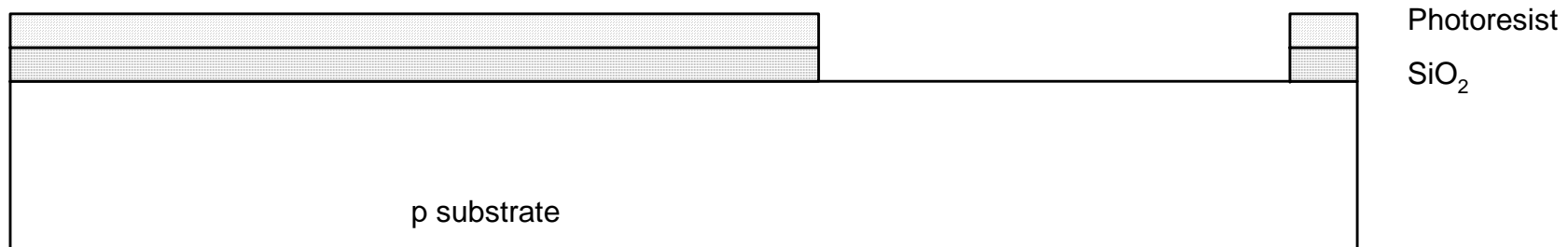
Lithography

- ❑ Expose photoresist through n-well mask
- ❑ Strip off exposed photoresist



Etch

- ❑ Etch oxide with hydrofluoric acid (HF)
 - Seeps through skin and eats bone; nasty stuff!!!
- ❑ Only attacks oxide where resist has been exposed



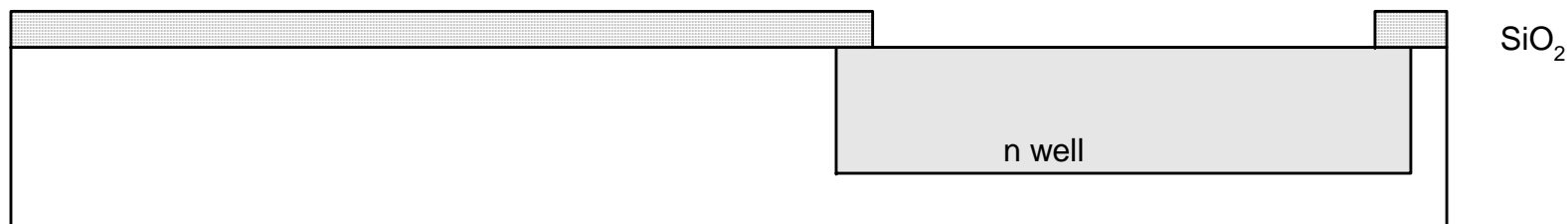
Strip Photoresist

- ❑ Strip off remaining photoresist
 - Use mixture of acids called piranah etch
- ❑ Necessary so resist doesn't melt in next step



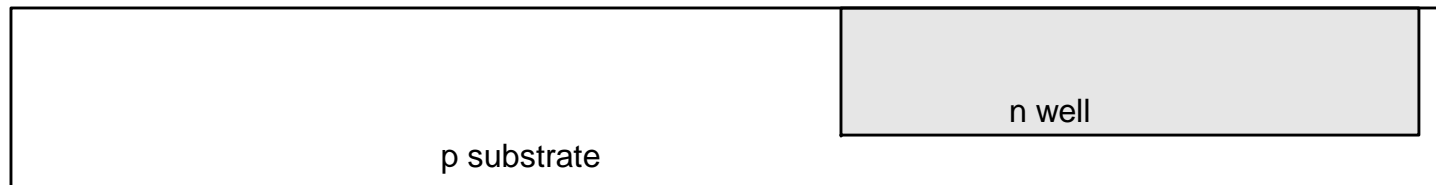
n-well

- ❑ n-well is formed with diffusion or ion implantation
- ❑ Diffusion
 - Place wafer in furnace with arsenic gas
 - Heat until As atoms diffuse into exposed Si
- ❑ Ion Implantation
 - Blast wafer with beam of As ions
 - Ions blocked by SiO_2 , only enter exposed Si



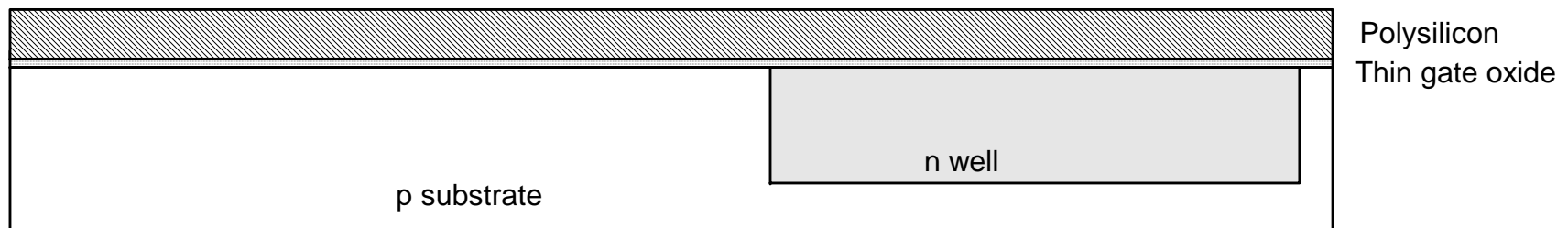
Strip Oxide

- ❑ Strip off the remaining oxide using HF
- ❑ Back to bare wafer with n-well
- ❑ Subsequent steps involve similar series of steps



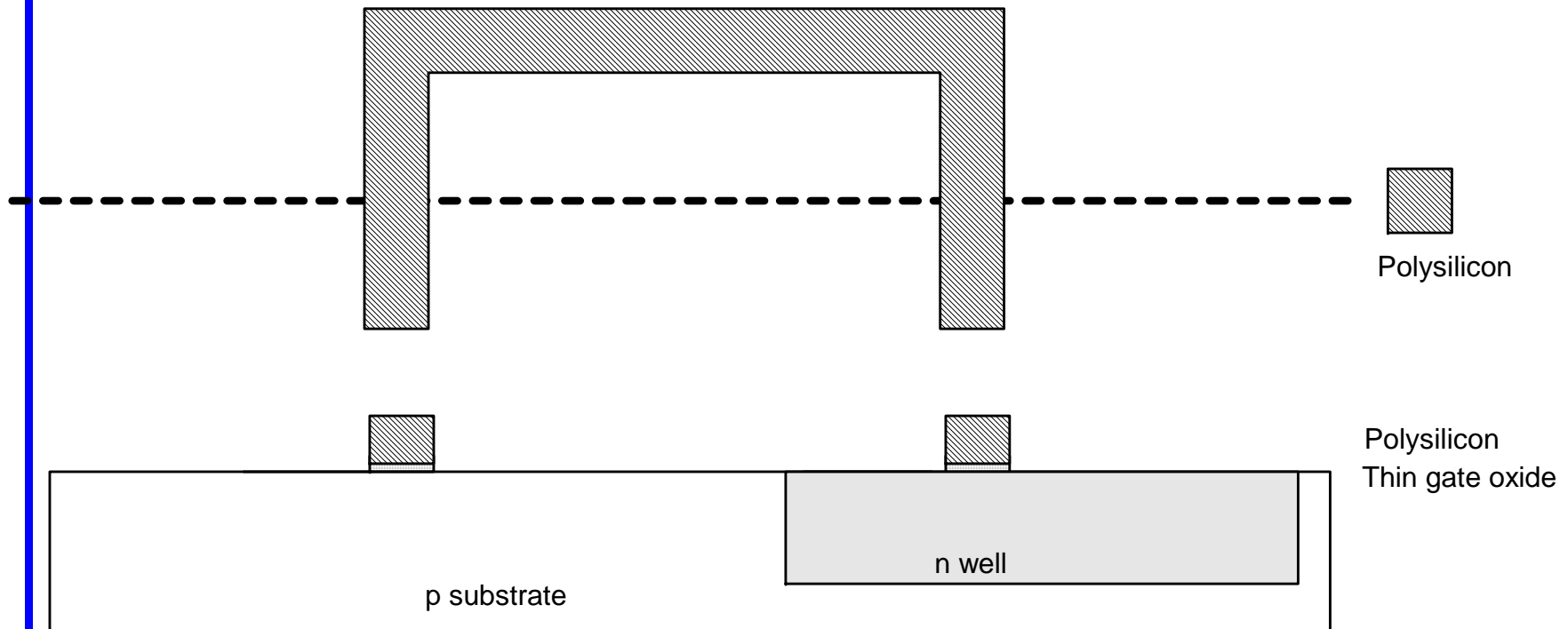
Polysilicon

- ❑ Deposit very thin layer of gate oxide
 - $< 20 \text{ \AA}$ (6-7 atomic layers)
- ❑ Chemical Vapor Deposition (CVD) of silicon layer
 - Place wafer in furnace with Silane gas (SiH_4)
 - Forms many small crystals called polysilicon
 - Heavily doped to be good conductor



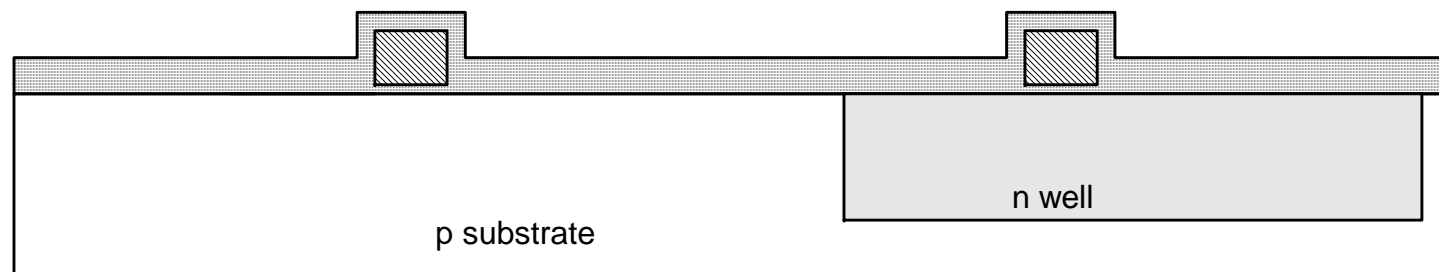
Polysilicon Patterning

- ❑ Use same lithography process to pattern polysilicon



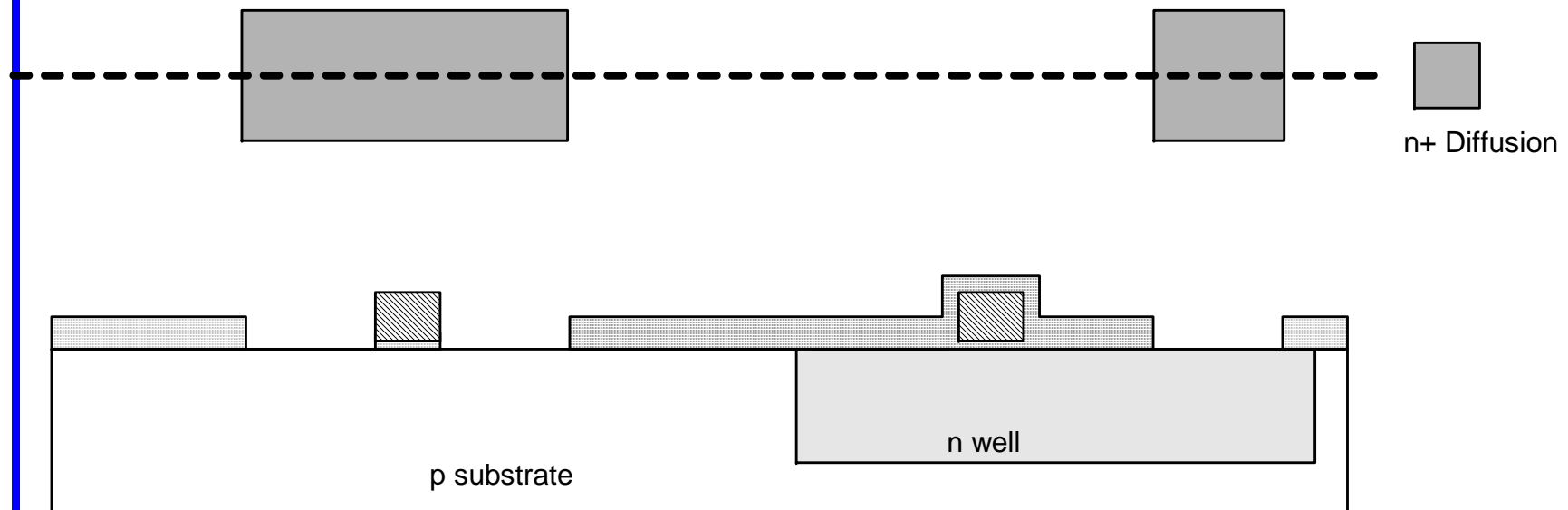
Self-Aligned Process

- ❑ Use oxide and masking to expose where n+ dopants should be diffused or implanted
- ❑ N-diffusion forms nMOS source, drain, and n-well contact



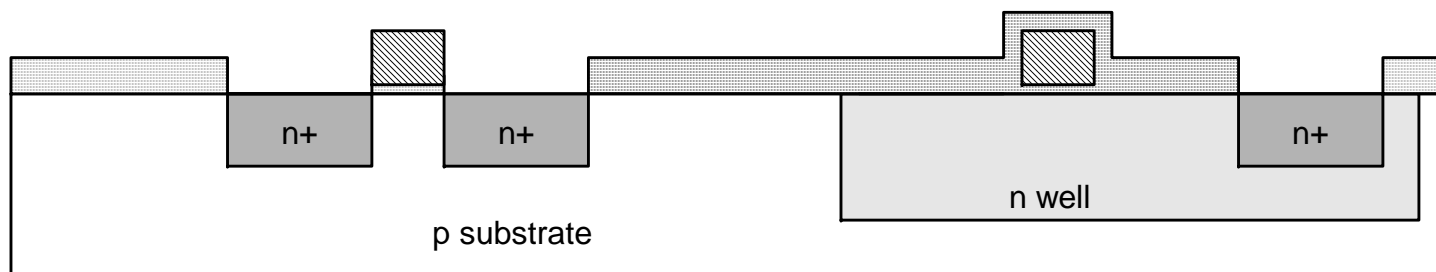
N-diffusion

- ❑ Pattern oxide and form n+ regions
- ❑ *Self-aligned process* where gate blocks diffusion
- ❑ Polysilicon is better than metal for self-aligned gates because it doesn't melt during later processing



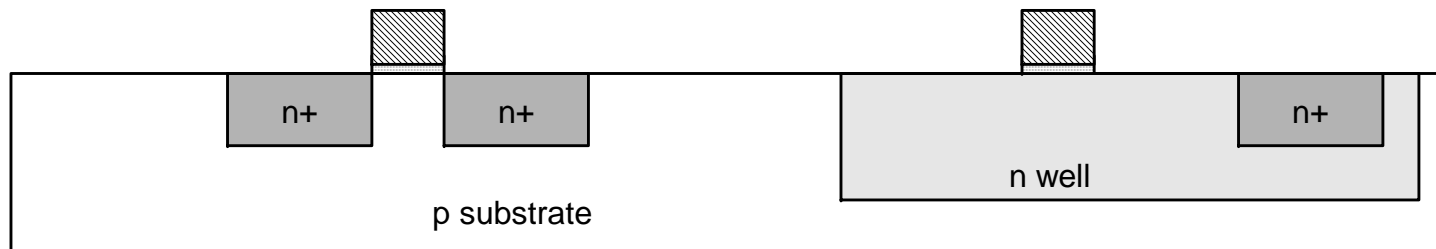
N-diffusion cont.

- ❑ Historically dopants were diffused
- ❑ Usually ion implantation today
- ❑ But regions are still called diffusion



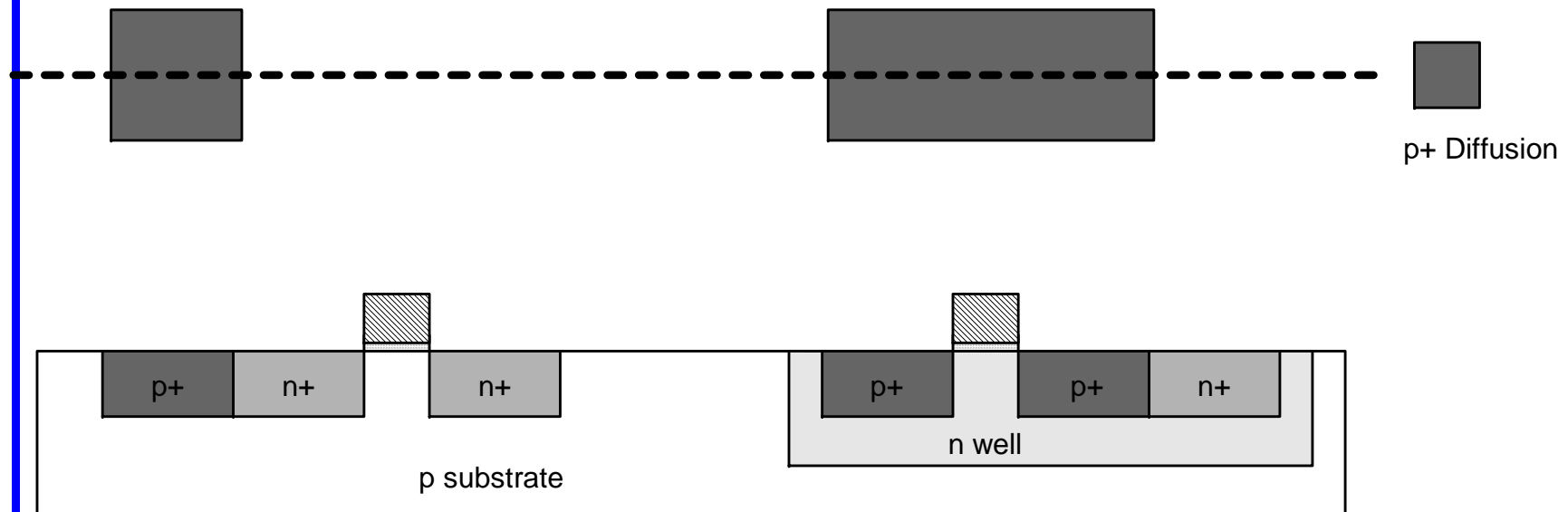
N-diffusion cont.

- Strip off oxide to complete patterning step



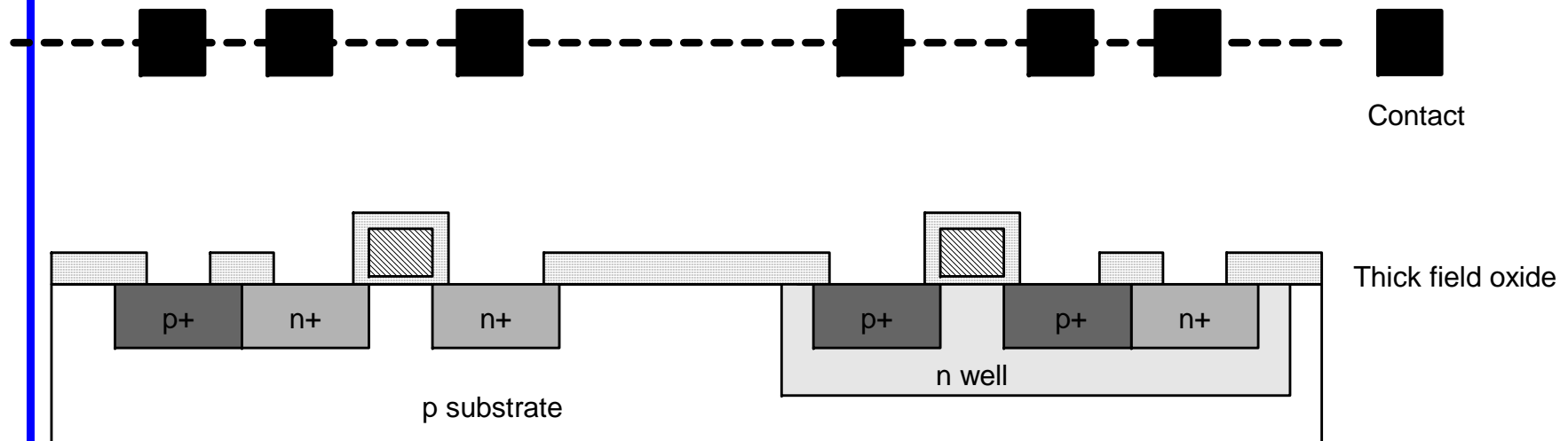
P-Diffusion

- Similar set of steps form p+ diffusion regions for pMOS source and drain and substrate contact



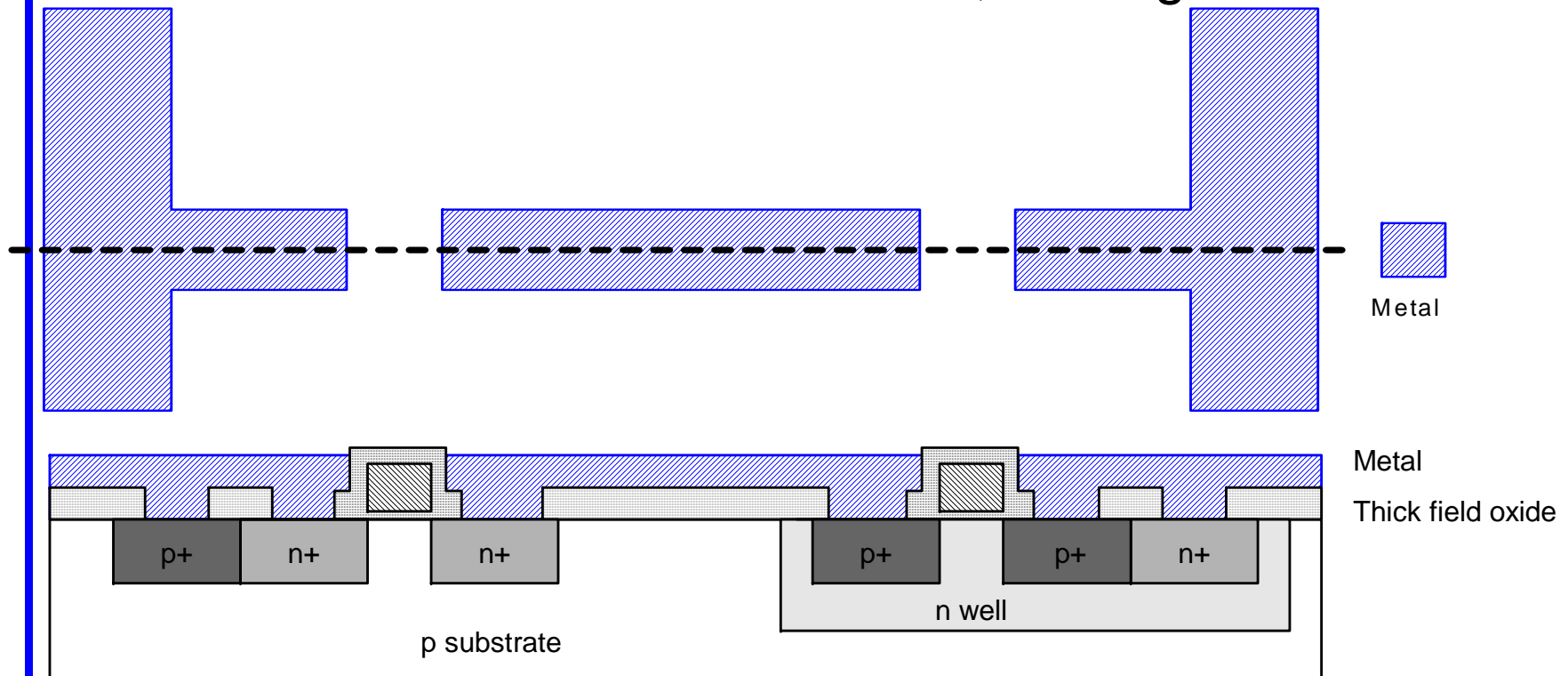
Contacts

- ❑ Now we need to wire together the devices
- ❑ Cover chip with thick field oxide
- ❑ Etch oxide where contact cuts are needed



Metalization

- ❑ Sputter on aluminum over whole wafer
- ❑ Pattern to remove excess metal, leaving wires

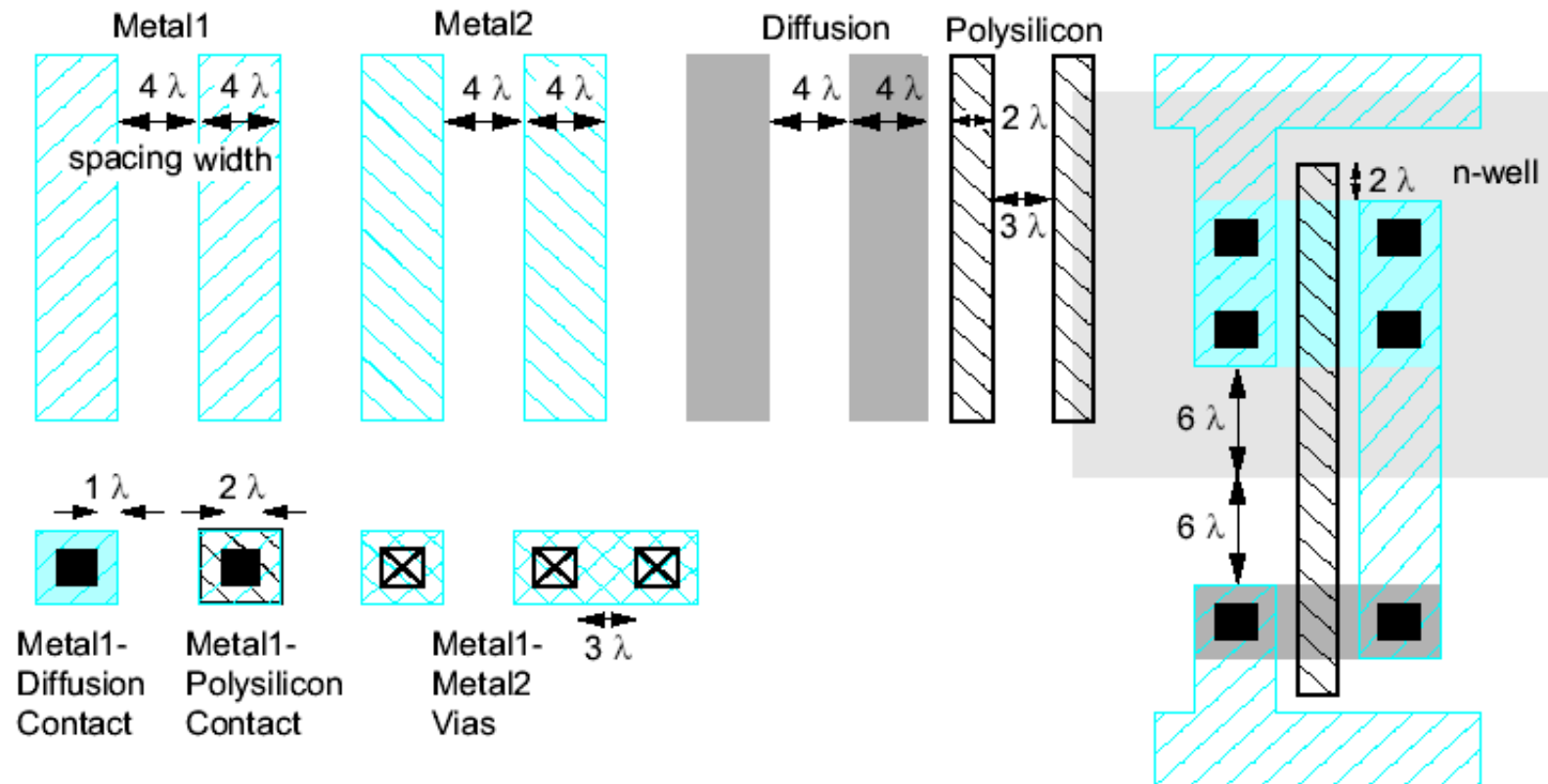


Layout

- ❑ Chips are specified with set of masks
- ❑ Minimum dimensions of masks determine transistor size (and hence speed, cost, and power)
- ❑ Feature size f = distance between source and drain
 - Set by minimum width of polysilicon
- ❑ Feature size improves 30% every 3 years or so
- ❑ Normalize for feature size when describing design rules
- ❑ Express rules in terms of $\lambda = f/2$
 - E.g. $\lambda = 0.3 \mu\text{m}$ in $0.6 \mu\text{m}$ process

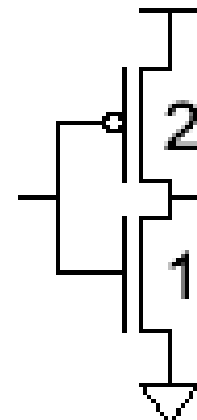
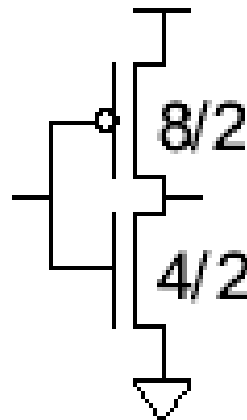
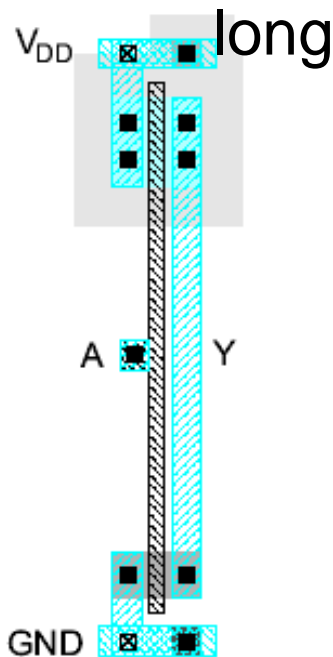
Simplified Design Rules

- Conservative rules to get you started



Inverter Layout

- ❑ Transistor dimensions specified as Width / Length
 - Minimum size is $4\lambda / 2\lambda$, sometimes called 1 unit
 - In $f = 0.6 \mu\text{m}$ process, this is $1.2 \mu\text{m}$ wide, $0.6 \mu\text{m}$



Summary

- ❑ MOS Transistors are stack of gate, oxide, silicon
- ❑ Can be viewed as electrically controlled switches
- ❑ Build logic gates out of switches
- ❑ Draw masks to specify layout of transistors

- ❑ Now you know everything necessary to start designing schematics and layout for a simple chip!